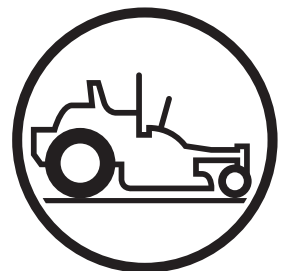




Parts Manual

RZ462I BF / 966582301

Please read the operator's manual carefully and make sure you understand the instructions before using the machine.



English

When you need spare parts or support in service questions, warranty issues, etc., please consult the following professional:

This Parts Manual belongs to the machine with the manufacturing number:	Engine	Transmission

Manufacturing Number

The machine's manufacturing number can be found on the printed plate affixed to the engine compartment.

Stated on the plate, from the top are:

- The machine's type designation (I.D.).
- The manufacturer's type number (Model).
- The machine's serial number (Serial no.)

Please have the type designation and serial number available when ordering spare parts.

The engine's manufacturing number is stamped on one of the valve covers.

The plate states:

- The engine's model.
- The engine's type.
- Code

Please have these available when ordering spare parts.

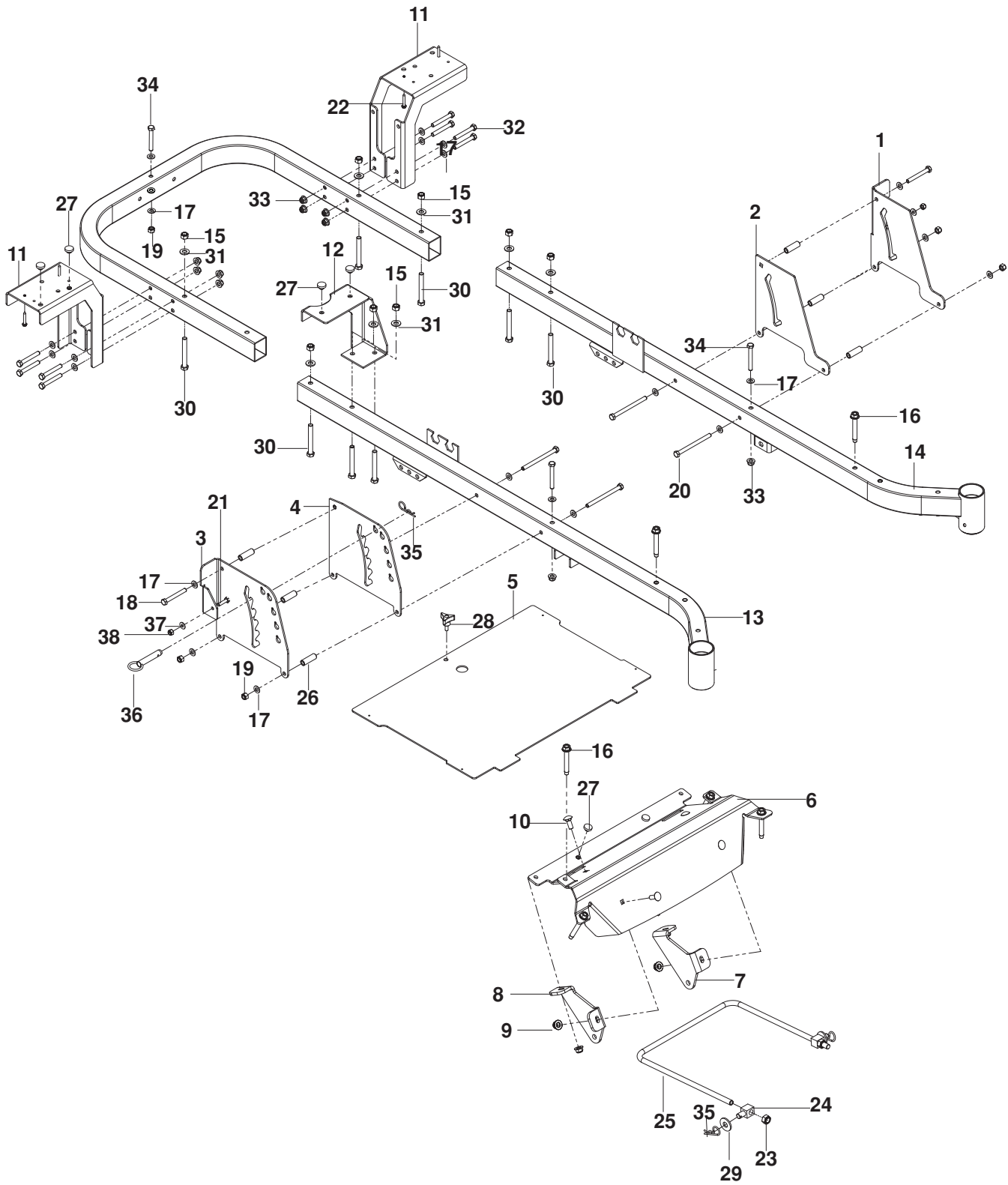
The wheel motors and hydrostatic pumps have a barcode decal affixed at the rear.

CONTENTS

FRAME.....	4	HYDRAULIC PUMP-MOTOR.....	14
ENGINE PLATE.....	6	WHEELS AND TIRES.....	16
STEERING	8	46" DECK.....	18
IGNITION.....	10	SEAT	20
BRAKE / LIFT.....	12	DECALS.....	22

NOTE: ALL FASTENERS ARE GRADE 5 UNLESS OTHERWISE SPECIFIED.

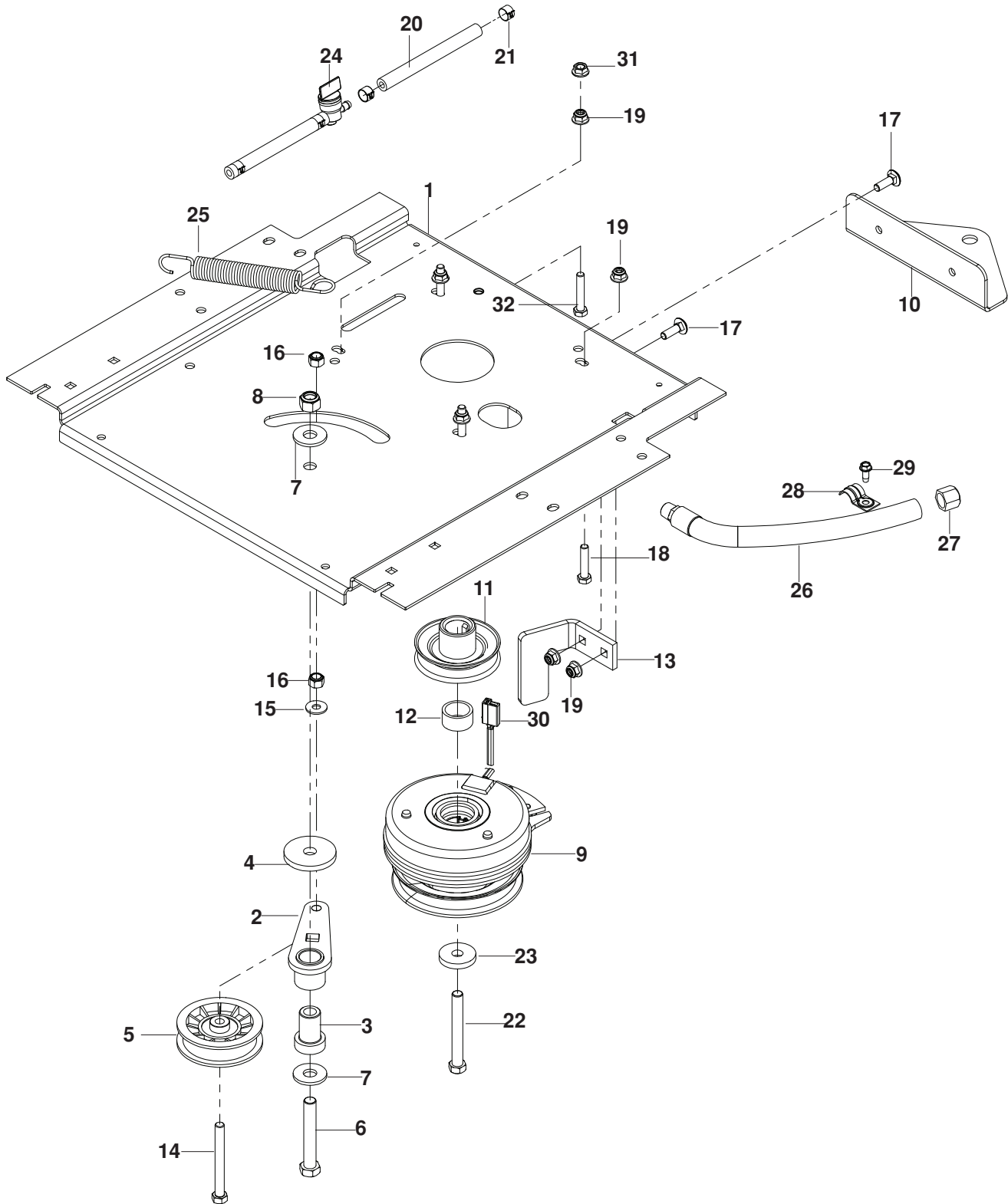
FRAME



FRAME

ITEM	PART NO.	QTY.	DESCRIPTION	ITEM	PART NO.	QTY.	DESCRIPTION
1..	510 261802....	1....	PLATE, OUTER BRAKE	20..	539 102335....	4....	HCS $\frac{5}{16}$ -18 x 4
2..	510 206703....	1....	PLATE, BRAKE LATCH	21..	539 977761....	2....	HCS $\frac{1}{4}$ -20 x 1
3..	510 245602....	1....	PLATE, DECK HEIGHT	22..	539 110674....	4....	SCREW 10-12 x 1 $\frac{1}{4}$ WSH HD
4..	510 240502....	1....	PLATE, DECK HEIGHT	23..	539 119124....	2....	NUT $\frac{7}{16}$ -14 HEX NYLOC
5..	522 842902....	1....	FOOT PLATE w/DECALS	24..	539 114789....	2....	SWIVEL
6..	522 719504....	1....	FOOT REST	25..	521 938101....	1....	LINK, FRONT SUSPENSION
7..	522 443302....	1....	MOUNT, STRUT, RT, BLK	26..	515 988101....	6....	SPACER $\frac{1}{2}$ OD x 1 $\frac{1}{2}$
8..	522 443304....	1....	MOUNT, STRUT, LT, BLK	27..	539 102587....	6....	GROMMET, BUMPER
9..	521 996501....	4....	NUT $\frac{3}{8}$ -16 HEX FLG NYLOC	28..	539 104411....	1....	KNOB w/STUD
10..	539 990645....	4....	RHSNB $\frac{3}{8}$ -16 x 1	29..	539 109554....	2....	WASHER $\frac{1}{2}$ FLAT
11..	510 225902....	2....	SUPPORT, FENDER	30..	539 101341....	8....	HCS $\frac{3}{8}$ -16 x 3
12..	510 226002....	1....	SUPPORT, TANK	31..	539 990122....	8....	WASHER $\frac{3}{8}$ SAE FLT
13..	510 177503....	1....	FRAME, FRONT RT	32..	539 976938....	6....	HCS $\frac{5}{16}$ -18 x 2 $\frac{1}{4}$
14..	510 177403....	1....	FRAME, FRONT LT	33..	539 112899....	8....	NUT $\frac{5}{16}$ -18 FLANGE NYLOC
15..	539 976979..	14....	NUT $\frac{3}{8}$ -16 HEX NYLOC	34..	539 101721....	3....	HCS $\frac{5}{16}$ -18 x 2 $\frac{3}{4}$
16..	539 111976....	6....	BOLT $\frac{3}{8}$ -16 x 2 $\frac{5}{8}$ THD FRM	35..	539 976989....	3....	#4 HAIRPIN
17..	539 990188..	20....	WASHER $\frac{5}{16}$ SAE FLAT	36..	539 102526....	1....	PIN, LIFT
18..	539 991046....	2....	HCS $\frac{5}{16}$ -18 x 2 $\frac{1}{2}$	37..	539 990055....	2....	WASHER $\frac{1}{4}$ FLAT SAE
19..	539 990717....	5....	NUT $\frac{5}{16}$ -18 HEX NYLOC	38..	539 976978....	2....	NUT $\frac{1}{4}$ -20 HEX NYLOC

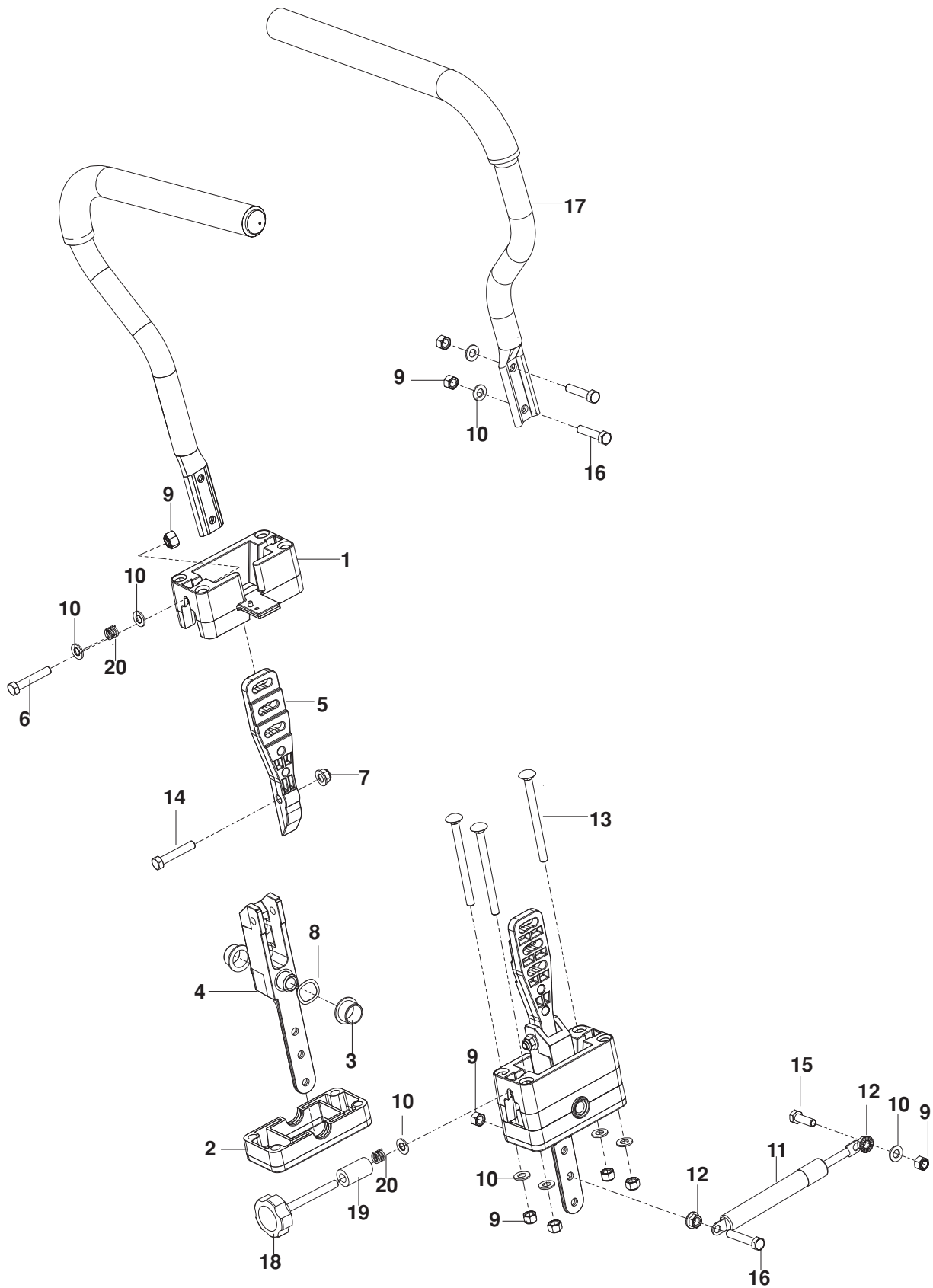
ENGINE PLATE



ENGINE PLATE

ITEM	PART NO.	QTY.	DESCRIPTION	ITEM	PART NO.	QTY.	DESCRIPTION
1..	510 172002....	1....	PLATE, ENGINE	17..	539 990208....	2....	RHSNB $\frac{5}{16}$ -18 x 1
2..	539 112092....	1....	ARM, IDLER	18..	539 976935....	3....	HCS $\frac{5}{16}$ -18 x 1 $\frac{1}{2}$
3..	539 101231....	1....	SPINDLE, IDLER	19..	539 112899....	6....	NUT $\frac{5}{16}$ -18 FLANGE NYLOC
4..	539 112670....	1....	WASHER, HEAVY	20..	539 110425....	2....	FUEL LINE 5"
5..	539 110311....	1....	PULLEY, IDLER	21..	539 912222....	4....	HOSE CLAMP
6..	539 103433....	1....	HCS $\frac{1}{2}$ -13 x 3 $\frac{1}{4}$	22..	539 976944....	1....	HCS $\frac{7}{16}$ -20 x 3 $\frac{1}{2}$
7..	539 109554....	2....	WASHER $\frac{1}{2}$ FLT	23..	539 110064....	1....	WASHER, CLUTCH
8..	539 101331....	1....	NUT $\frac{1}{2}$ -13 HEX NYLOC	24..	539 916325....	1....	VALVE, FUEL
9..	505 287301....	1....	CLUTCH	25..	532 196105....	1....	SPRING, DECK DRIVE
10..	516 011802....	1....	HITCH	26..	539 101362....	1....	HOSE, DRAIN
11..	539 114530....	1....	PULLEY, ENGINE	27..	539 101364....	1....	PLUG, OIL
12..	539 112252....	1....	SPACER	28..	539 101363....	1....	CLAMP
13..	510 246002....	1....	STOP, CLUTCH	29..	539 990362....	1....	SCREW $\frac{1}{4}$ -20 x $\frac{5}{8}$ SLF TAP
14..	539 109389....	1....	HCS $\frac{3}{8}$ -16 x 3 $\frac{1}{2}$ TPBLT	30..	539 105637....	1....	HARNES, CLUTCH
15..	539 990692....	2....	WASHER $\frac{5}{16}$ STD FLT	31..	539 990585....	1....	NUT $\frac{5}{16}$ -18 WHIZLK
16..	539 976979....	2....	NUT $\frac{3}{8}$ -16 HEX NYLOC	32..	539 990669....	1....	HCS $\frac{5}{16}$ -18 x 1 $\frac{3}{4}$

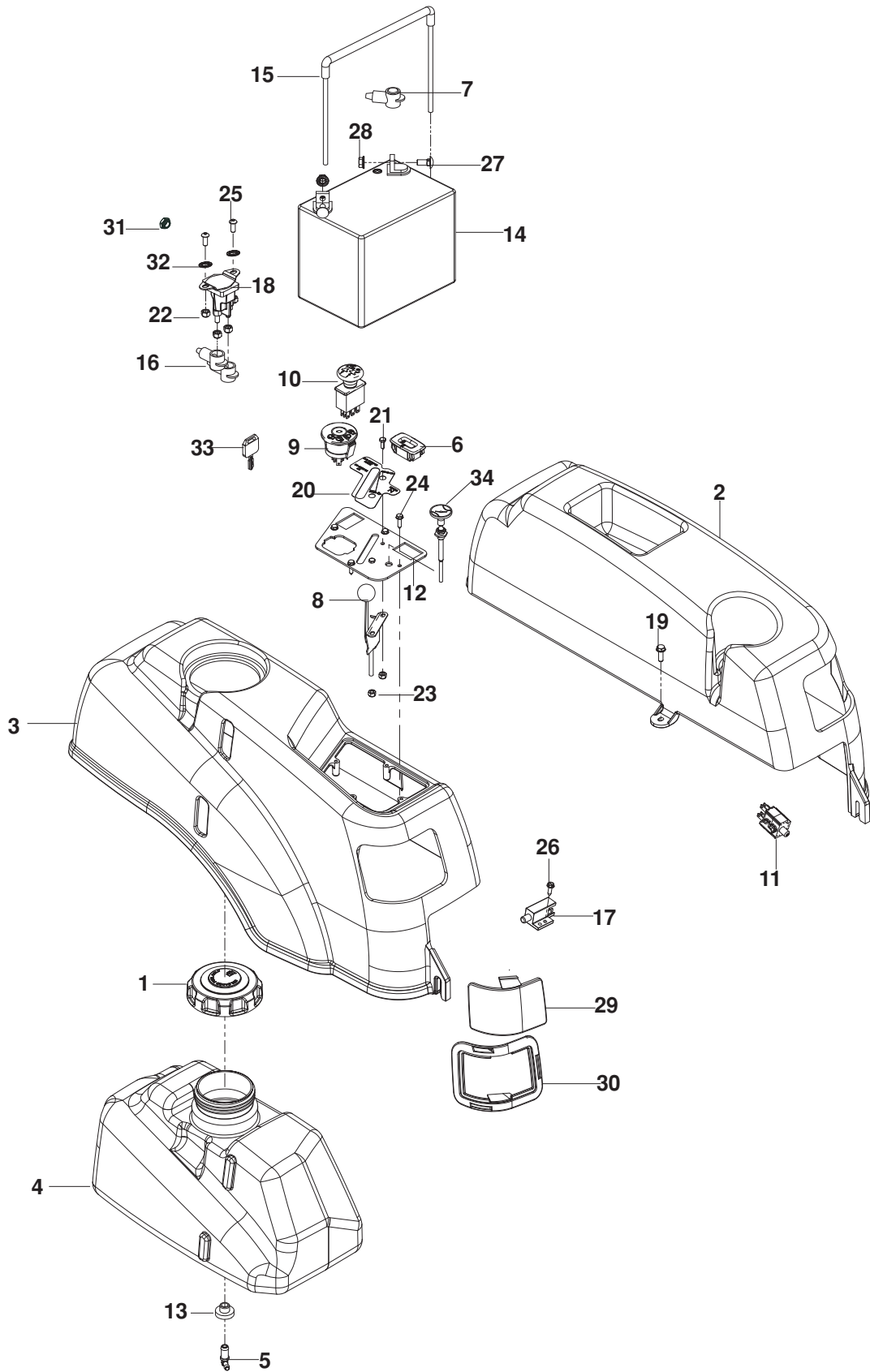
STEERING



STEERING

ITEM	PART NO.	QTY.	DESCRIPTION	ITEM	PART NO.	QTY.	DESCRIPTION
1..	539 131517....	2....	BLOCK, UPPER	11..	539 102720....	2....	DAMPENER
2..	539 131519....	2....	BLOCK, LOWER	12..	539 990585....	4....	NUT ⁵ / ₁₆ -18 HEX WHIZLK
3..	539 131518....	4....	BEARING, FLANGE	13..	510 422601....	6....	RHSNB ⁵ / ₁₆ -18 x 4
4..	522 452901....	2....	PIVOT SECTION, DRIVE	14..	539 990669....	2....	HCS ⁵ / ₁₆ -18 x 1 ³ / ₄
5..	539 131521....	2....	MOUNT, DRIVE CONTROL	15..	539 990209....	2....	HCS ⁵ / ₁₆ -18 x 1
6..	539 108395....	1....	HCS ⁵ / ₁₆ -18 x 2 TPBLT	16..	539 976935....	6....	HCS ⁵ / ₁₆ -18 x 1 ¹ / ₂
7..	539 112899....	2....	NUT ⁵ / ₁₆ -18 FLANGE NYLOC	17..	522 524303....	2....	LEVER, w/GRIP
8..	539 133007....	2....	WASHER, .825 x 1.087 WAVE	18..	521 982601....	1....	KNOB
9..	539 990717..	14....	NUT ⁵ / ₁₆ -18 HEX NYLOC	19..	539 103543....	1....	SPACER
10..	539 990188..	12....	WASHER ⁵ / ₁₆ SAE FLAT	20..	539 102845....	2....	SPRING

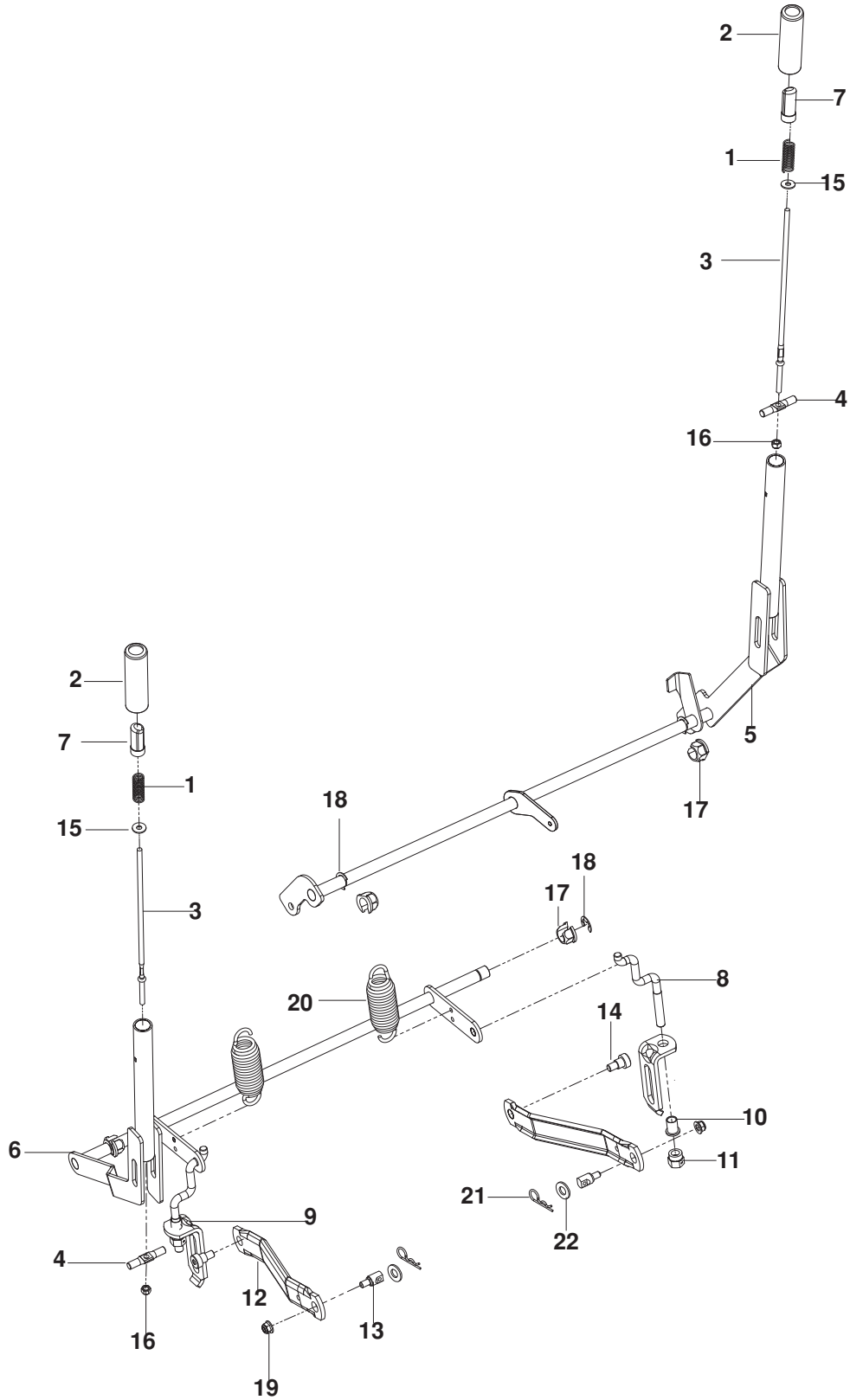
IGNITION



IGNITION

ITEM	PART NO.	QTY.	DESCRIPTION	ITEM	PART NO.	QTY.	DESCRIPTION
1..	539 130393....	1....	FUEL CAP	21..	539 990411....	2....	SCREW 10-24 x 1/2 SLT HD
2..	539 130374....	1....	FENDER, LT	22..	539 976978....	4....	NUT 1/4-20 HEX NYLOC
3..	539 130375....	1....	FENDER, RT	23..	539 976977....	2....	NUT 10-24 HEX NYLOC
4..	539 110252....	1....	TANK, FUEL	24..	539 110673....	4....	SCREW 10-12 x 3/4 WSHR HD
5..	539 110432....	1....	ELBOW, TANK	25..	539 111229....	2....	SCREW 1/4-20 x 5/8 BTN SKT
6..	539 110074....	1....	HOUR METER	26..	539 991034....	2....	SCREW 10-24 x 5/8 WSH HD
7..	539 102759....	1....	COVER, TERMINAL	27..	539 990316....	2....	RHSNB 5/16-18 x 3/4
8..	522 730101....	1....	CABLE, THROTTLE	28..	539 112899....	2....	NUT 5/16-18 FLANGE NYLOC
9..	539 107541....	1....	SWITCH, IGNITION	29..	539 110056....	1....	LENS, LT
10..	539 101768....	1....	SWITCH, CLUTCH		539 110057 ...	1....	LENS, RT
11..	539 113792....	1....	SWITCH, BRAKE	30..	539 110455....	1....	LENS RIM, LT
12..	539 112735....	1....	PLATE, CONSOLE		539 110451 ...	1....	LENS RIM, RT
13..	539 105245....	1....	GROMMET, RUBBER	31..	539 108120....	1....	NUT 1/4-20 HEX NYLOC THIN
14..	539 102436....	1....	BATTERY	32..	539 990053....	2....	WASHER 1/4 ITLW
15..	539 131209....	1....	TIE DOWN, BATTERY	33..	539 107544....	1....	KEY, IGNITION
16..	539 116400....	3....	COVER, TERMINAL	34..	539 130209....	1....	CONTROL, CHOKE
17..	539 101080....	2....	SWITCH, N.C.				NOT SHOWN
18..	539 101714....	1....	SOLENOID		539 103306 ...	2....	POSITIVE CABLE, LONG
19..	539 108461....	2....	BOLT 1/4-20 x 1/2 HWST		539 110068 ...	1....	BATTERY CABLE NEGATIVE
20..	539 112740....	1....	DECAL, CONSOLE		515 980501 ...	1....	HARNES, WIRING

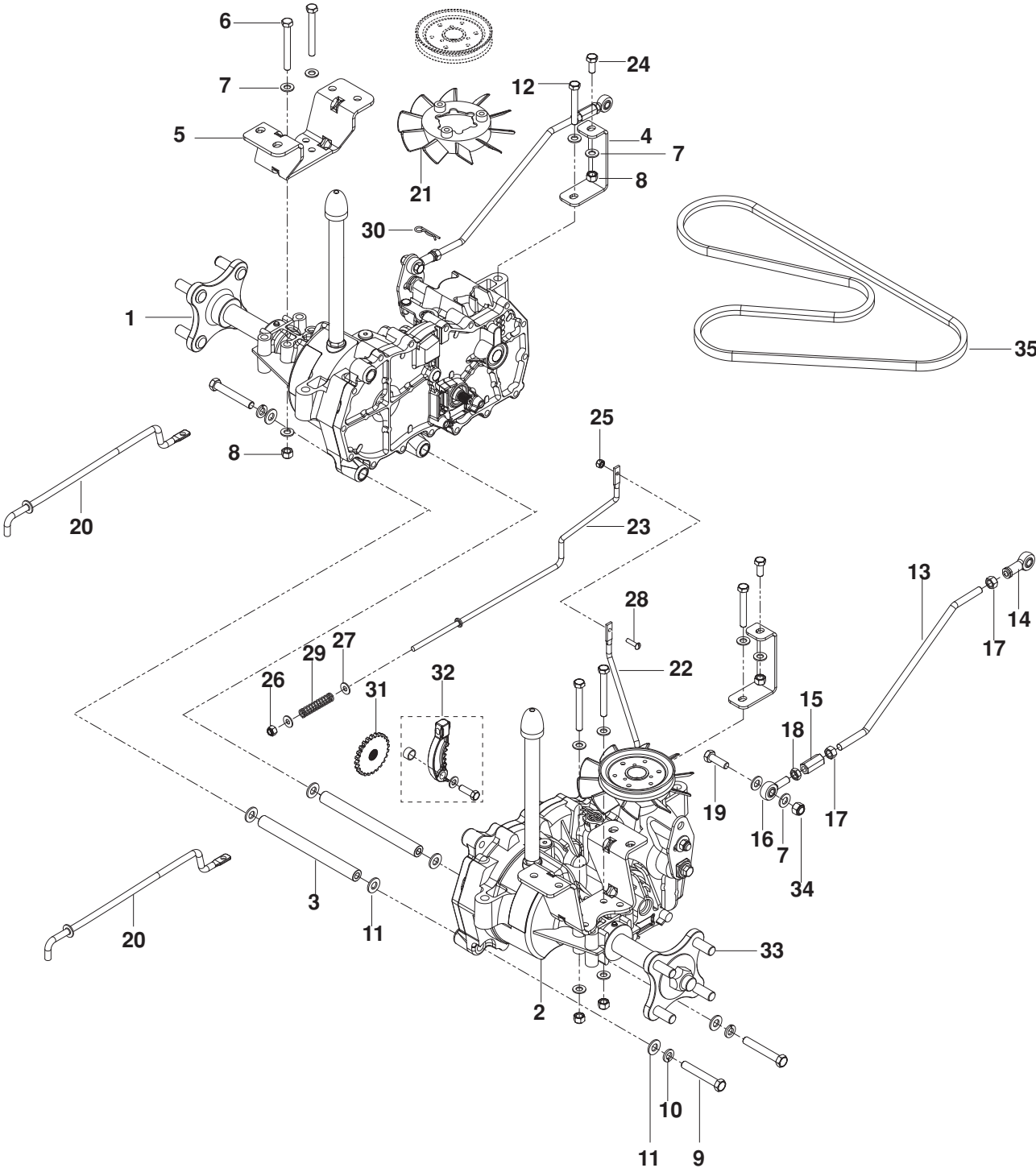
BRAKE / LIFT



BRAKE / LIFT

ITEM	PART NO.	QTY.	DESCRIPTION	ITEM	PART NO.	QTY.	DESCRIPTION
1..	510 030701....	2....	SPRING, COMPRESSION	12..	532 195185....	2....	ARM, SUSPENSION RR
2..	510 207201....	2....	GRIP, HANDLE	13..	532 195161....	2....	STUD, w/ANTI- ROTATE
3..	510 422901....	2....	ROD, HANDLE RELEASE	14..	539 113621....	2....	SB 3/8-16 x 3/8 SKT HD
4..	516 008801....	1....	ROD, LATCH RELEASE	15..	539 990598....	1....	WASHER 1/4 FLAT
5..	522 710804....	1....	SHAFT, BRAKE	16..	539 976978....	2....	NUT 1/4-20 HEX NYLOC
6..	574 216604....	1....	ARM, LIFTING	17..	510 184901....	4....	NUT
7..	510 207301....	2....	BUTTON, PUSH	18..	539 105069....	4....	E-RING
8..	525 847201....	2....	LINK, REAR SUSPENSION	19..	539 112899....	2....	NUT 5/16-18 FLANGE NYLOC
9..	522 858601....	2....	BRACKET, LIFT	20..	539 118762....	1....	SPRING
10..	532 195171....	2....	BUSHING, ALIGNMENT	21..	539 976989....	2....	HAIRPIN #4
11..	532 175994....	2....	NUT, LIFT LINK	22..	539 976982....	2....	WASHER 5/8 FLAT SAE

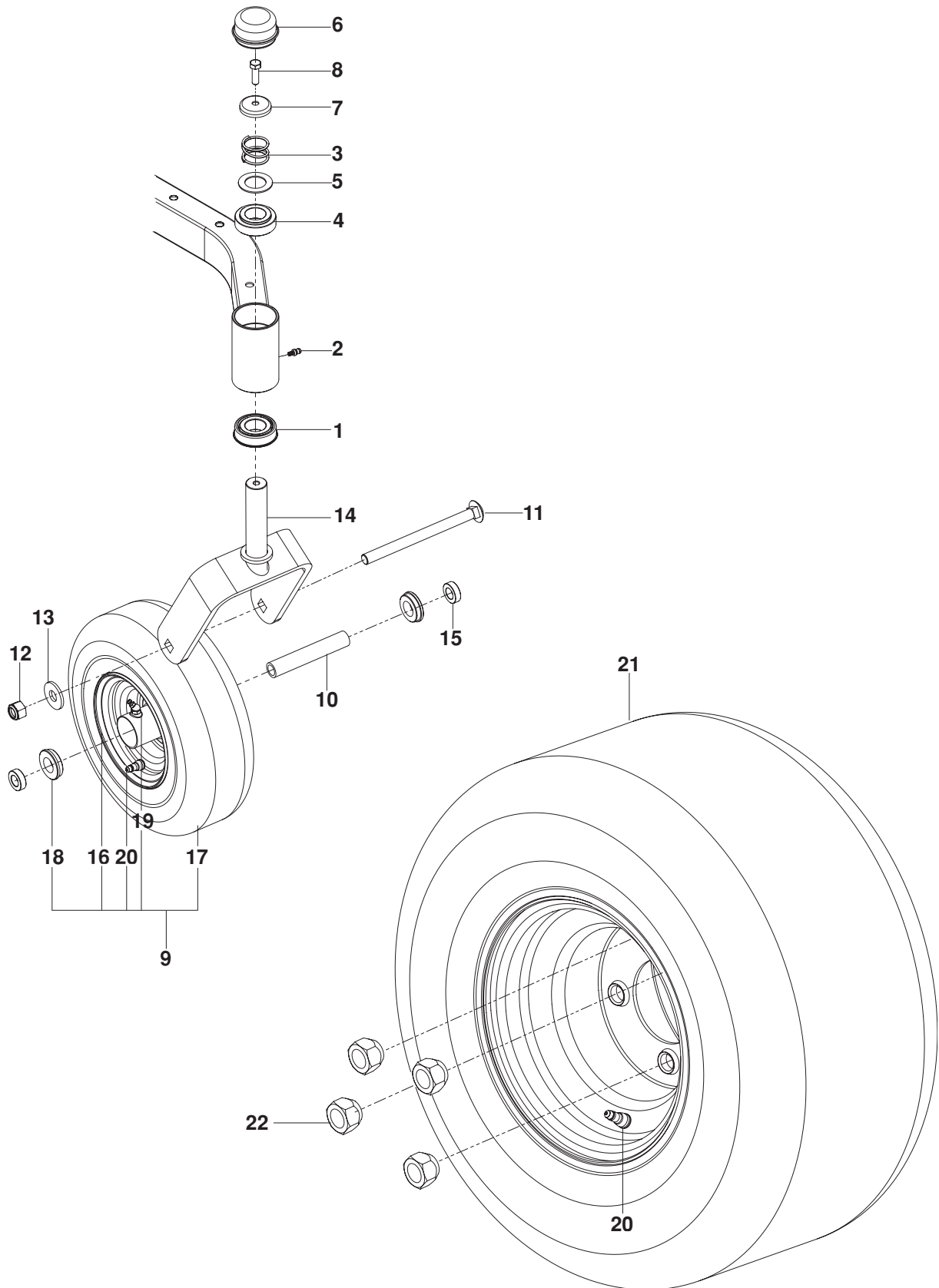
HYDRAULIC PUMP-MOTOR



HYDRAULIC PUMP-MOTOR

ITEM	PART NO.	QTY.	DESCRIPTION	ITEM	PART NO.	QTY.	DESCRIPTION
1..	510 375601....	1....	EZT, LT	19..	539 990209....	2....	HCS ⁵ / ₁₆ -18 x 1
2..	510 375602....	1....	EZT, RT	20..	522 941101....	2....	LINK ARM, BYPASS
3..	510 184101....	2....	SPACER TUBE	21..	539 120785....	2....	BLADE, FAN
4..	522 460702....	2....	SUPPORT, EZT FRT	22..	574 030501....	1....	ROD, EZT BRAKE LT
5..	510 185102....	2....	MOUNT, EZT RR BLK	23..	574 030502....	1....	ROD, EZT BRAKE RT
6..	539 101721....	4....	HCS ⁵ / ₁₆ -18 x 2 ³ / ₄	24..	539 976934....	2....	HCS ⁵ / ₁₆ -18 x ³ / ₄
7..	539 990188..	18....	WASHER ⁵ / ₁₆ SAE FLT	25..	539 976977....	1....	NUT 10-24 HEX NYLOC
8..	539 990717..	10....	NUT ⁵ / ₁₆ -18 HEX NYLOC	26..	539 976978....	2....	NUT ¹ / ₄ -20 HEX NYLOC
9..	539 990637....	4....	HCS ³ / ₈ -16 x 2 ¹ / ₂	27..	539 990055....	4....	WASHER ¹ / ₄ SAE FLT
10..	539 990118....	4....	WASHER ³ / ₈ SPLT LK	28..	539 108535....	1....	SCREW 10-24 x ³ / ₄ SLTD RD
11..	539 990122....	8....	WASHER ³ / ₈ SAE FLT	29..	539 110342....	2....	SPRING, BRAKE ROD
12..	539 976938....	2....	HCS ⁵ / ₁₆ -18 x 2 ¹ / ₄	30..	539 976988....	2....	HAIRPIN, COTTER
13..	522 945001....	2....	ROD, MOTION CONTROL	31..	539 120080....	2....	COG, BRAKE DISC
14..	539 115729....	2....	ROD END RT	32..	539 120079....	2....	BRAKE ARM KIT
15..	539 116689....	2....	COUPLER, ROD END	33..	539 120064....	2....	HUB KIT
16..	539 116690....	2....	ROD END MALE LT	34..	539 115617....	2....	NUT ⁵ / ₁₆ -18 NYLOC INSERT
17..	539 990223....	4....	NUT ⁵ / ₁₆ -24 HEX	35..	539 110411....	1....	BELT, EZT
18..	539 991073....	1....	NUT ⁵ / ₁₆ -24 HEX JAM LH				

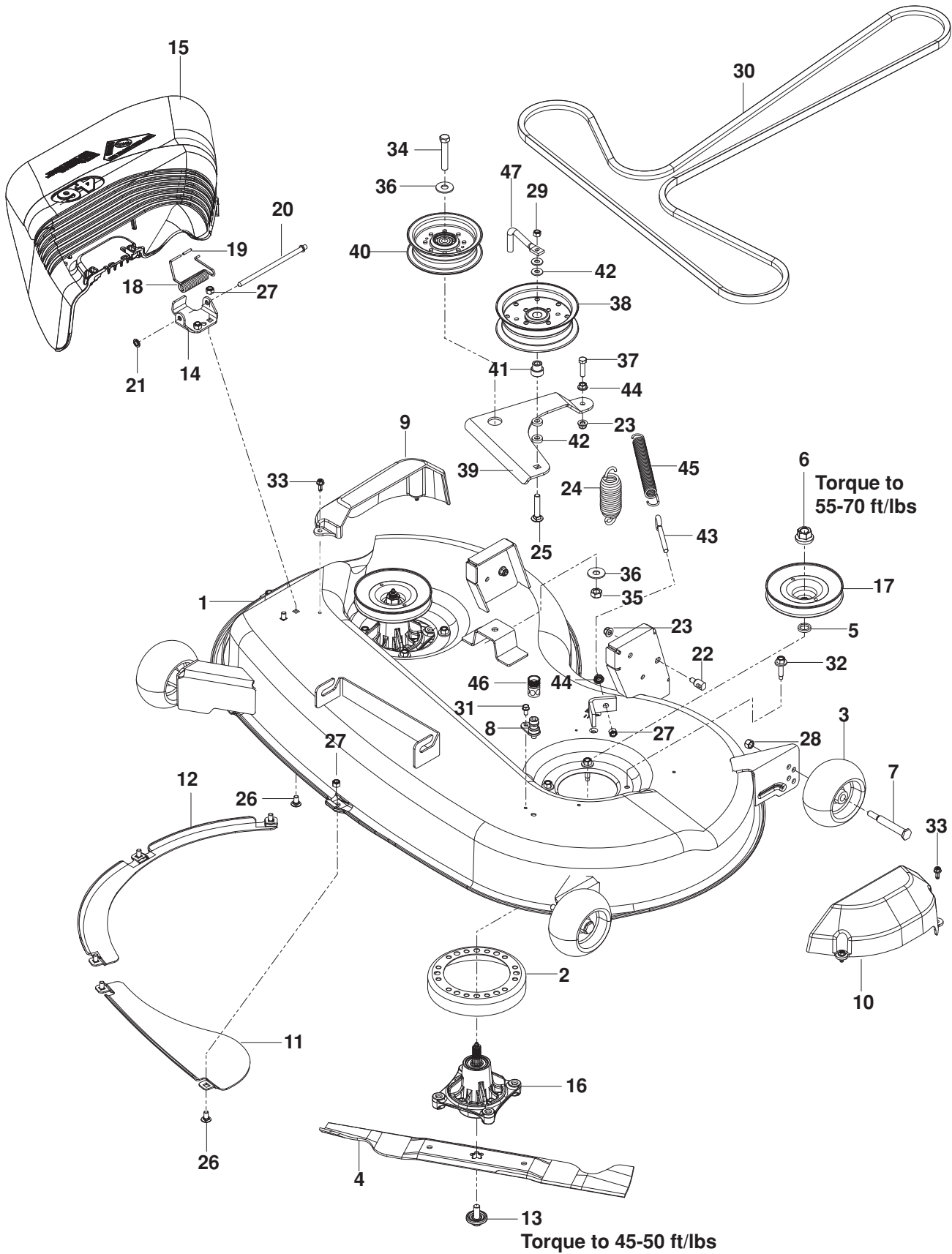
WHEELS AND TIRES



WHEELS AND TIRES

ITEM	PART NO.	QTY.	DESCRIPTION	ITEM	PART NO.	QTY.	DESCRIPTION
1..	539 112660....	2....	BEARING, FLANGED	12..	539 101331....	2....	NUT ½-13 HEX NYLOC
2..	539 115638....	2....	ZERK ¾ DRIVE	13..	539 109554....	2....	WASHER ½ FLT
3..	539 115747....	2....	SPRING, CASTER	14..	510 186501....	2....	YOKE ORG
4..	539 117901....	2....	BUSHING, CASTER	15..	539 114805....	4....	SPACER ⅝
5..	539 115675....	2....	WASHER	16..	539 106994....	2....	RIM
6..	539 102535....	2....	GREASE CAP	17..	539 114697....	2....	CASTER TIRE, 410-5 4 PLY
7..	539 115749....	2....	PLUG, CASTER	18..	539 102484....	4....	BEARING, FLANGED
8..	539 115566....	2....	BOLT, HEX ⅝-18 x 1 NYLOC	19..	539 103300....	2....	ZERK
9..	516 001901....	2....	CASTER TIRE ASSY	20..	539 912234....	4....	VALVE STEM
10..	539 105543....	2....	SPACER	21..	539 110470....	2....	WHEEL ASSY, REAR
11..	539 121159....	2....	RHSNB ½-13 x 6½	22..	539 101173....	8....	NUT, LUG ½

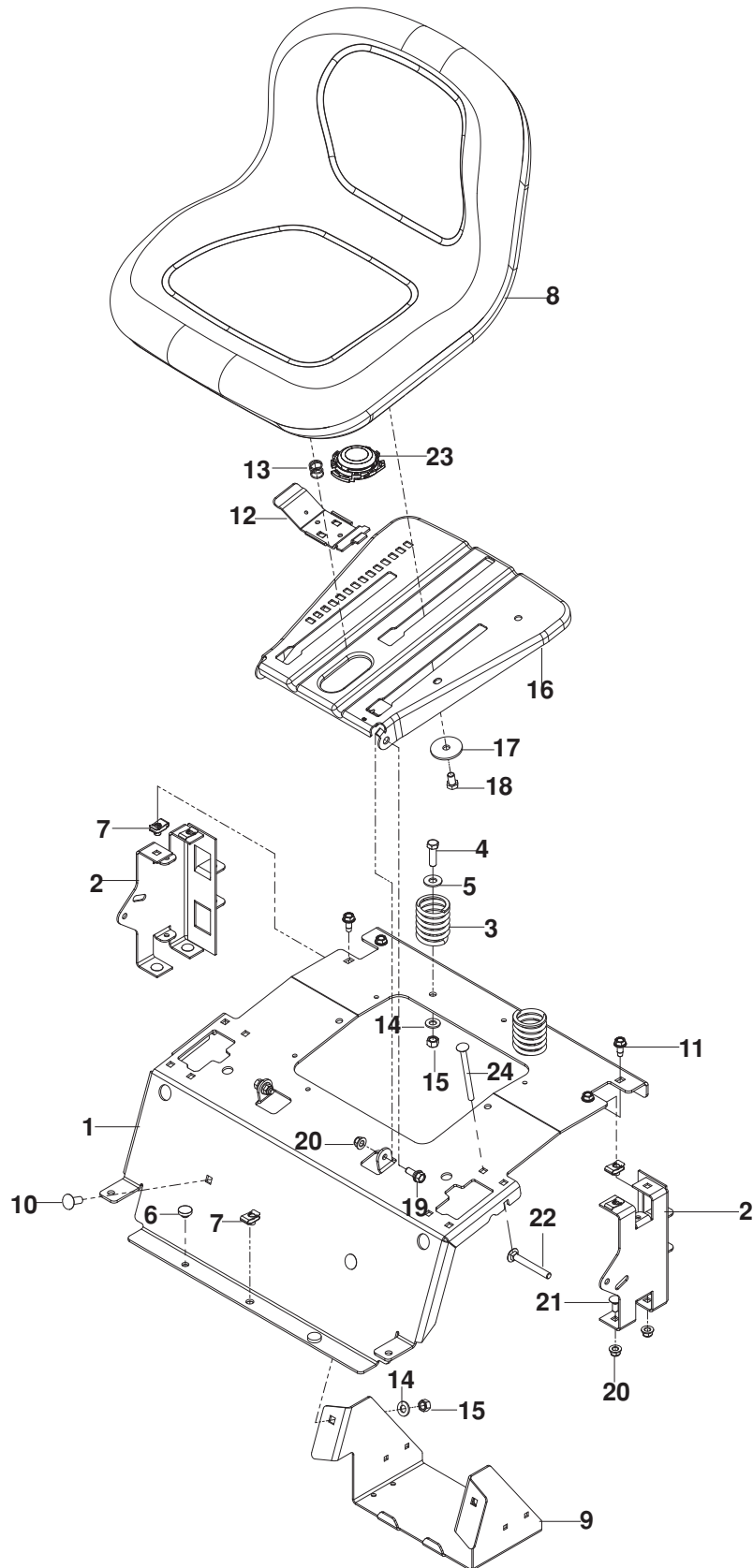
46" DECK



46" DECK

ITEM	PART NO.	QTY.	DESCRIPTION	ITEM	PART NO.	QTY.	DESCRIPTION
1..	522 744301....	1....	DECK w/ SAFETY DECALS	25..	539 128101....	1....	BOLT $\frac{3}{8}$ -16 x 2 $\frac{1}{2}$ CARRIAGE
2..	539 107518....	2....	STRIPPER, UNIVERSAL	26..	539 990316....	7....	BOLT $\frac{5}{16}$ -18 x $\frac{3}{4}$ RD HD
3..	539 107610....	3....	WHEEL, GAUGE	27..	539 990717....	8....	NUT $\frac{5}{16}$ -18 HEX NYLOC
4..	532 405380....	2....	BLADE, HI-LIFT	28..	539 976979....	3....	NUT $\frac{3}{8}$ -16 HEX NYLOC
5..	539 107520....	2....	WASHER, SPACER	29..	539 200282....	1....	NUT $\frac{3}{8}$ -16 HEX NYLOC, JAM
6..	539 107590....	2....	NUT $\frac{9}{16}$ TOP CNTRLK	30..	539 117245....	1....	BELT, DECK
7..	539 107608....	3....	BOLT, SHOULDER	31..	539 108461....	1....	BOLT $\frac{1}{4}$ -20 x $\frac{1}{2}$ HWST
8..	532 415598....	1....	WASHOUT PORT	32..	539 107630....	8....	SCREW $\frac{5}{16}$ -18 x WSH HD
9..	532 405506....	1....	SHIELD, BELT RH	33..	539 107631....	4....	SCREW $\frac{1}{4}$ -20 x $\frac{5}{8}$ TRDROLL
10..	532 405507....	1....	SHIELD, BELT LH	34..	539 104870....	1....	BOLT, HEX HD $\frac{7}{16}$ -14 x 2 $\frac{1}{2}$
11..	532 403149....	1....	BAFFLE, FRONT	35..	539 119124....	1....	NUT $\frac{7}{16}$ -14 HEX NYLOC
12..	532 403150....	1....	BAFFLE, FRONT RH	36..	539 104864....	2....	WASHER $\frac{7}{16}$
13..	532 193003....	2....	BOLT, WASHER	37..	539 990627....	1....	BOLT $\frac{5}{16}$ -18 x 1 $\frac{1}{4}$ HEX HD
14..	532 192557....	1....	BRACKET, DEFLECTOR	38..	539 132728....	1....	PULLEY, IDLER
15..	532 405357....	1....	SHIELD, DEFLECTOR	39..	574 689002....	1....	ARM, IDLER
16..	539 107515....	2....	CUTTER HOUSING	40..	532 196104....	1....	PULLEY, IDLER SPEC. HUB
17..	539 113962....	2....	PULLEY, DECK	41..	539 112076....	1....	IDLER BUSHING
18..	539 107609....	1....	SPRING, TORSION	42..	539 109562....	4....	WASHER $\frac{3}{8}$
19..	539 107627....	1....	CAP, SLEEVE	43..	539 115574....	1....	EYE BOLT $\frac{5}{16}$ x 3 $\frac{1}{2}$
20..	539 110462....	1....	ROD, HINGE	44..	539 990585....	2....	NUT $\frac{5}{16}$ -18 HEX WHIZLK
21..	539 107626....	1....	PUSHNUT	45..	539 120920....	1....	SPRING, DECK BELT
22..	532 195161....	2....	STUD w/ ANTI-ROTATE	46..	532 416405....	1....	COUPLING, CONNECT
23..	539 112899....	3....	NUT $\frac{5}{16}$ -18 HEX FLG NYLOC	47..	522 629701....	1....	BELT KEEPER
24..	539 118762....	1....	SPRING				

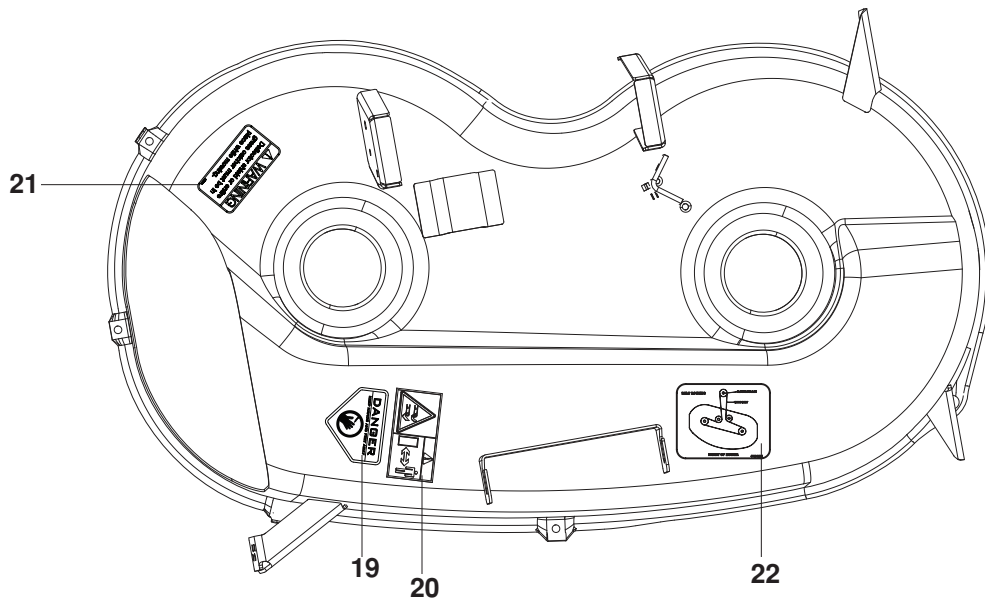
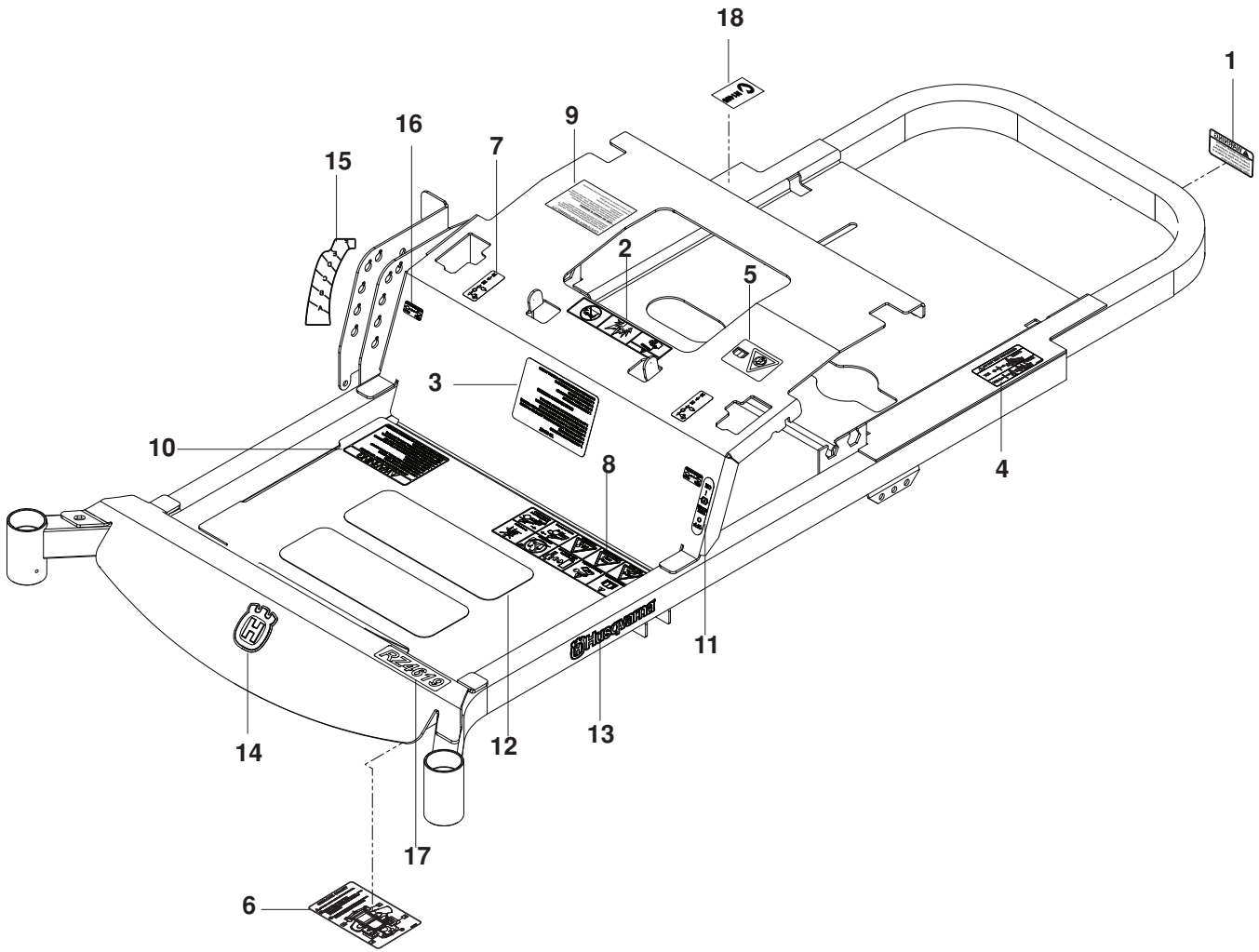
SEAT



SEAT

ITEM	PART NO.	QTY.	DESCRIPTION	ITEM	PART NO.	QTY.	DESCRIPTION
1..	510 171903....	1....	SUPPORT, SEAT, FLT	13..	532 198200....	1....	SPRING, LATCH
2..	574 522702....	2....	SUPPORT, SEAT RR	14..	539 990122....	4....	WASHER $\frac{3}{8}$ SAE FLT
3..	539 110300....	2....	SPRING, SEAT	15..	539 976979....	4....	NUT $\frac{3}{8}$ -16 HEX NYLOC
4..	539 976941....	2....	HCS $\frac{3}{8}$ -16 x $1\frac{1}{4}$	16..	532 196977....	1....	PAN, SEAT
5..	539 990517....	2....	WASHER $\frac{3}{8}$ FLT STD	17..	539 111897....	1....	WASHER $\frac{3}{8}$ SPECIAL
6..	539 102587....	2....	GROMMET, BUMPER	18..	539 108503....	1....	HCS $\frac{3}{8}$ -16 x $\frac{5}{8}$
7..	539 104763....	5....	RETAINER, U TYPE	19..	539 110303....	2....	BOLT $\frac{5}{16}$ -18 SHOULDER
8..	532 424068....	1....	SEAT	20..	539 112899....	6....	NUT $\frac{5}{16}$ -18 FLANGE NYLOC
9..	510 231302....	1....	BOX, BATTERY	21..	539 990316....	4....	RHSNB $\frac{5}{16}$ -18 x $\frac{3}{4}$
10..	539 990645....	2....	RHSNB $\frac{3}{8}$ -16 x 1	22..	510 422701....	2....	RHSNB $\frac{5}{16}$ -18 x $2\frac{1}{2}$
11..	539 107475....	4....	BOLT $\frac{5}{16}$ -18 x $\frac{3}{4}$ THD FRM	23..	539 132140....	1....	SWITCH, SEAT
12..	532 197661....	1....	HANDLE, SLIDE	24..	510 422601....	6....	RHSNB $\frac{5}{16}$ -18 x 4

DECALS



DECALS

ITEM	PART NO.	QTY.	DESCRIPTION	ITEM	PART NO.	QTY.	DESCRIPTION
1..	539 101881....	1....	DECAL, PROP 65	12..	539 977778....	3....	ABRASIVE PAD
2..	539 105745....	1....	DECAL, BATTERY WARNING	13..	532 422012....	2....	DECAL, HUSQVARNA
3..	539 108179....	1....	DECAL, START	14..	532 422011....	2....	DECAL, CROWN H
4..	539 108385....	1....	DECAL, DO NOT TOW	15..	521 980501....	1....	DECAL, HEIGHT
5..	539 108386....	1....	DECAL, EXIT MOWER	16..	539 110974....	2....	DECAL, FST
6..	539 109897....	1....	DECAL, SERVICE	17..	521 949320....	1....	DECAL, RZ4621
7..	539 103333....	2....	DECAL, MOTION CONTROL	18..	539 110279....	1....	DECAL, ECM
8..	539 109908....	1....	DECAL, SAFETY WARN	19..	539 913010....	1....	DECAL, BLADES
9..	539 110522....	1....	DECAL, RESPONSIBILITY	20..	539 105746....	1....	DECAL, SEVERING
10..	539 113213....	1....	DECAL, WARNING	21..	539 113224....	1....	DECAL, DEFLECTOR
11..	539 120006....	1....	DECAL, PARK BRAKE	22..	510 240201....	1....	DECAL, BELT ROUTING

